



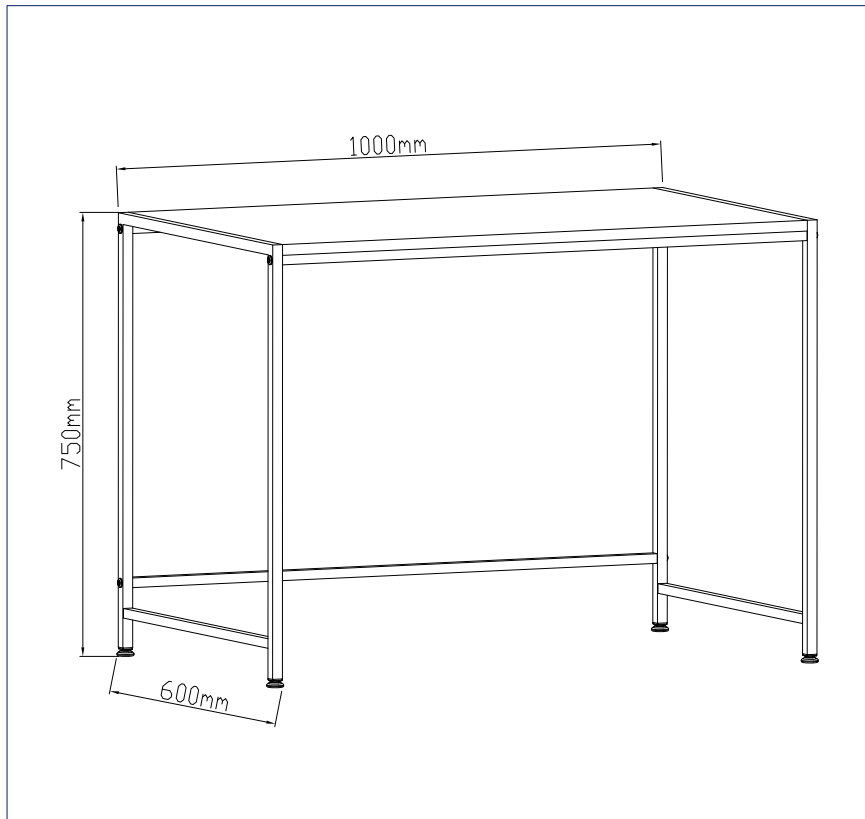
ASSEMBLY INSTRUCTION

QUINN DESK

ITEM CODE 65499

Imported by Amart Furniture Pty Ltd, Qld, Brisbane Australia.

For any assistance with assembly or for missing parts please phone Amart Furniture, Customer Service Free call 1800 351 084



Imported by Amart Furniture Pty Ltd, Qld, Brisbane Australia.

For any assistance with assembly or for missing parts please phone Amart Furniture, Customer Service Free call 1800 351 084

PRE-ASSEMBLY PREPARATION

Before you start:

1. Choose a clean, level, spacious assembly area. Avoid hard surfaces that may damage the product.
2. Take care when lifting. Product should be assembled as near as possible to the point of use.
3. Ensure that you have all required contents for complete assembly.
4. Always read the assembly instructions carefully before beginning assembly.
5. Keep all hardware parts and packaging out of reach of small children.
6. Do not over tighten the screws and bolts as this may damage the threads.



! TIPPING WARNING !



Serious or fatal injuries may occur from furniture toppling over. To help avoid this please follow the below recommendations:

- Install the provided "Tipping Kit" as per the instructions
- Never allow children to climb on or hang off of any part of this product
- Unless specifically designed to accommodate, do not set TVs or other heavy objects on top of this product

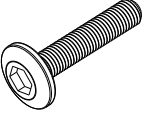

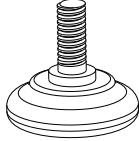

If this product has drawers:

- Place the heaviest items in lowest drawers
- Do not open more than 1 drawer at a time as this may cause the product to become unbalanced
- Do not tamper with or remove any drawer interlocking/running system

Note: The use of the provided "Tipping Kit" may reduce but not necessarily eliminate the risk of furniture toppling over. Please use this product with caution.

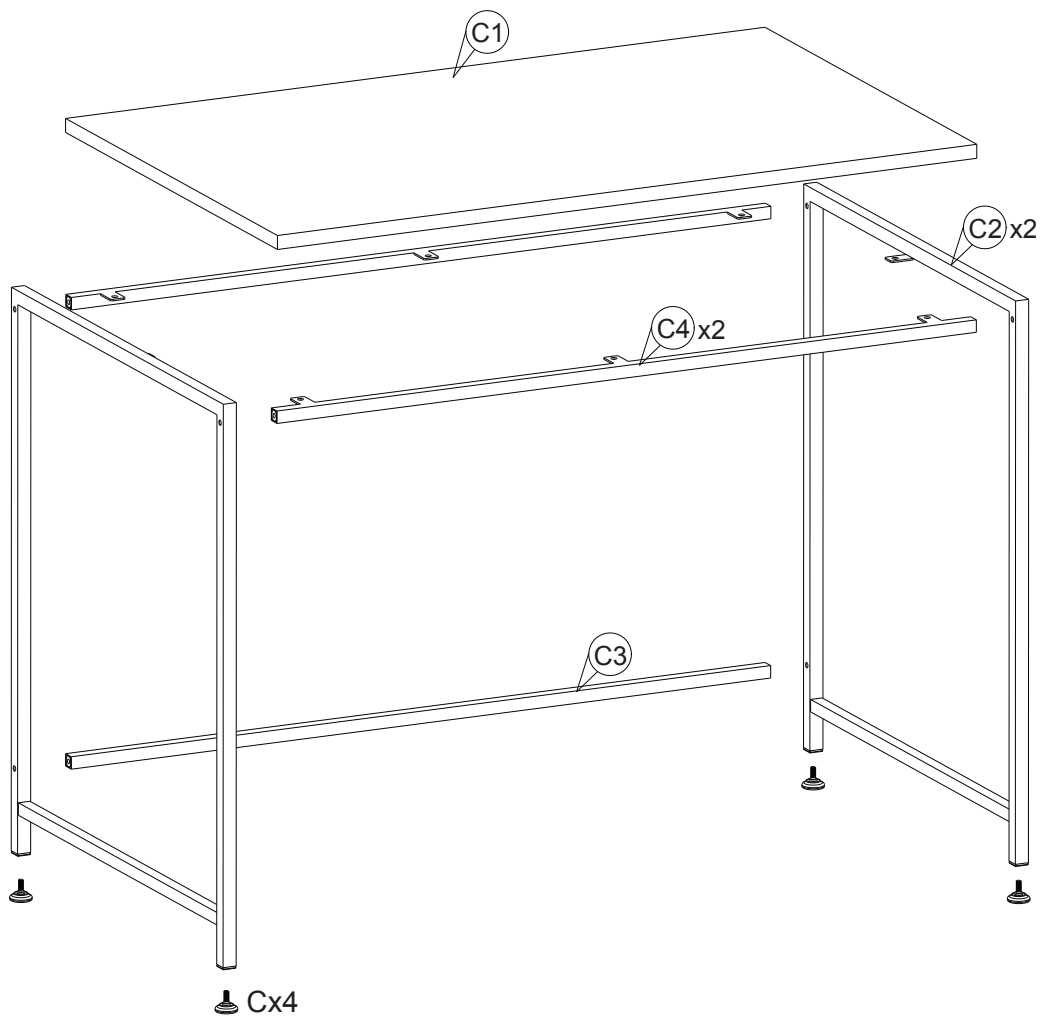
This is a permanent label. Do not attempt to remove!

PARTS LIST

A  M6x30mm 6xA	B  M6x12mm 8xB	C  $\varnothing 28 * H27$ 4xC	D  M4x20x60mm
--	--	---	---

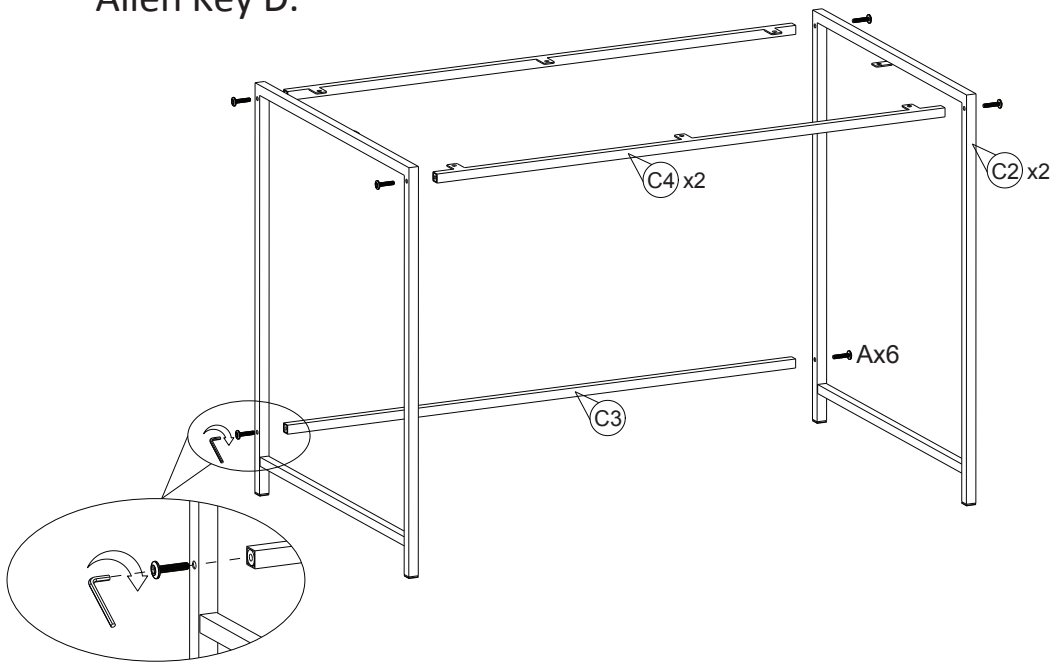
C1	1	964x600x18mm
C2	2	725x600x18mm
C3	1	16x16x964mm
C4	2	46x16x964mm

EXPLODED VIEW

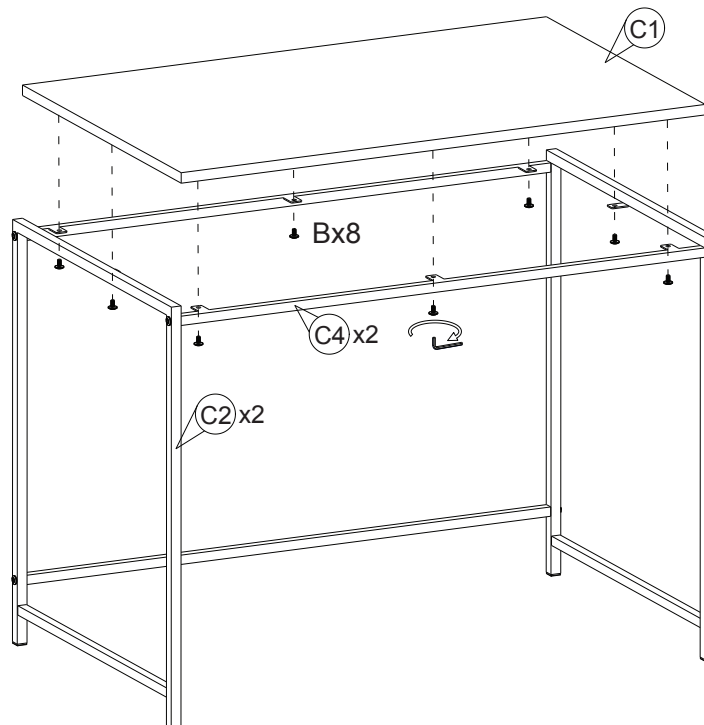


STEP 1 : Fix C4 to square frame C2 using Bolt A and tighten using Allen Key D.

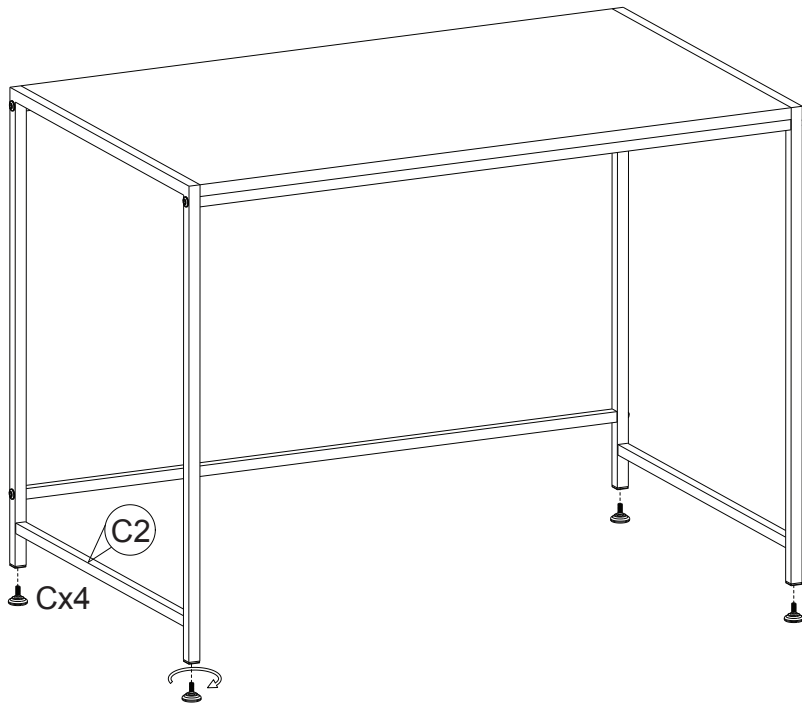
Fix C3 to square frame C2 using Bolt A and tighten using Allen Key D.



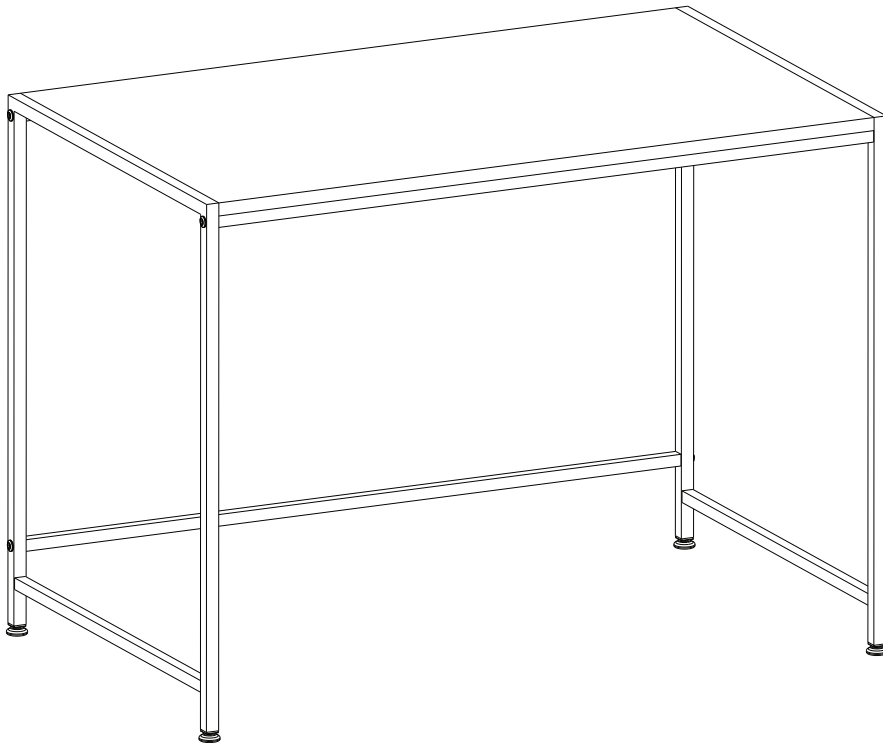
STEP 2: Fix desk panel C1 to desk frame Using Bolt B and tighten using Allen Key D.



STEP 3 : Screw lever C to desk frame.



Assembly Complete



SAFETY BRACKETS INSTRUCTIONS

This furniture poses a tipping risk and as such must be secured to a wall using the provided tipping kit.

1. Attach one Mounting Plate to the wall with the Large Screws. Make sure to attach the Mounting Plate into a stud. If mounting into brick or masonry you will need to acquire wall anchors. Please enquire with your local hardware supplier for appropriate fixings.
2. Attach the second Mounting Plate to the furniture frame with the Short Screws.
3. Move the furniture to its final position. Thread a Wall Strap through the both Mounting Plates and tighten until snug. Do not over tighten.
4. Make sure that the Mounting Plates are firmly attached to the wall and furniture and that the Wall Strap is snug.

HARDWARE



Mounting Plate x 2



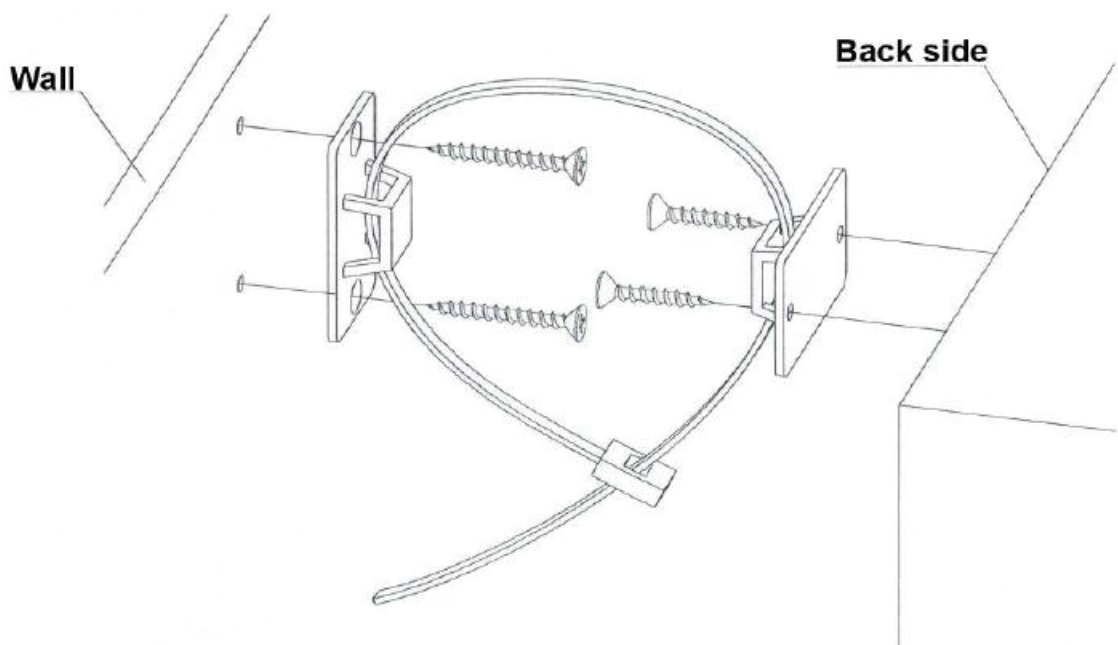
Wall Strap x 1



Large Screw x2



Small Screw x2



CARE AND MAINTENANCE

PRODUCT CARE FOR HI-GLOSS ITEMS

- Hi-gloss lacquered furniture is more sensitive to marks and scratching than some other furniture products. It is important to exercise caution and care to maximise the life and beauty of this product
- Following the below simple guidelines when using your hi-gloss product will protect your investment for years to come
- Dust frequently with a clean damp lint-free cloth. This will help remove abrasive build up which can damage a finish over time
- Avoid using chemicals or solvents when cleaning the product
- Do not place hot objects on any furniture surface. Always use a hot plate or placemat. Lacquer finishes provide added scratch and heat resistance to our furniture, but they can still be damaged without proper care
- Avoid exposing your furniture to strong sunlight, heat outlet, open windows or dampness. Prolonged exposure to direct sunlight can fade the finish of your furniture, while extreme temperature and humidity changes can cause cracking or splitting
- Do not expose your furniture to any liquids. Never allow water to sit on your furniture. Alcohol, nail polish and perfume are also dangerous as they will dissolve the lacquer finish on contact and may require professional repairs
- Do not allow plastic to come in direct contact with your furniture. Chemicals in the plastic of placemats etc. may soften and mark the finish if left in contact with the furniture for a period of time
- Avoid placing sharp or rough objects on the surface of your furniture. These may scratch the surface of the product
- When moving your furniture, do not drag it across the floor. This may damage the product. Instead use two (2) people to lift carefully from either end